

boiling pan 20 kW

G9KT200G



boiling pan 20 kW

G9KT200G

Short Form Specification

Name: _____

Item: _____

Model: _____

Main Features

- Stainless steel and reinforced body.
- Direct and indirect heating.
- Easy to clean and hygienic.
- Ergonomic design.
- Adjustable legs.
- Long life, easy to operate and maintenance.
- Taps controlling the level of water.
- Oil heating jacket system provides easy to operate and minimum maintenance.

Product Highlighting Details

- Water inlet tap and a drain tap on the.
- Direct or indirect heating.
- High efficiency by using oil in jacket.
- Long life and minimum maintenance. provided by using oil in jacket.
- Safety thermostat.
- Safety discharge valve.
- Operating temperature range (0-180 ° C)

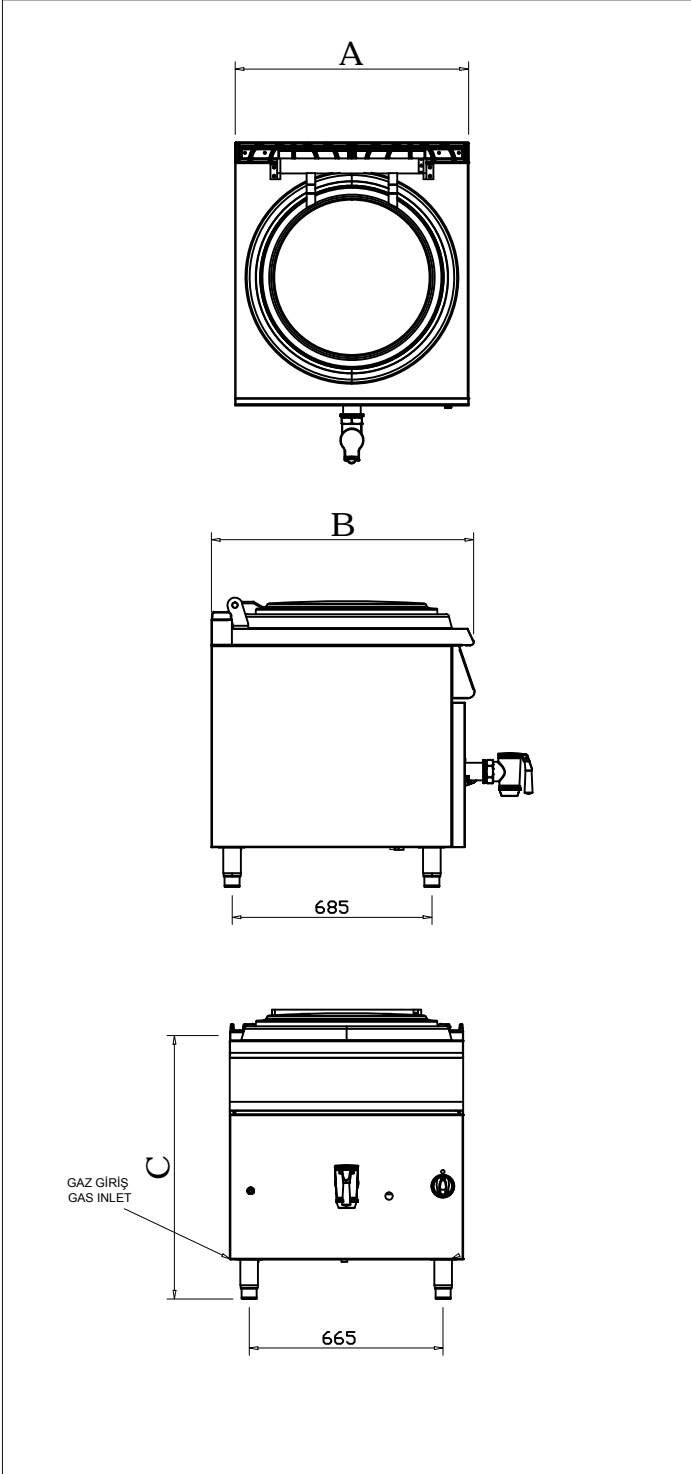
Construction

APPROVAL: _____

KUSINA

boiling pan 20 kW

G9KT200G



Code	G9KT200G
Width (A)	800
Dept (B)	900
Hight (C)	900
Gas Inlet	R 1/2"
Power	20 kW
Weight (kg)	180
Volume (mm ³)	0,97
Capacity (Lt)	150
Electrical Inlet	230V 3N PE

CE

All rights reserved.