

Gas Range 32 kW

G7K210G



Gas Range 32 kW

G7K210G

Short Form Specification

Name: _____

Item: _____

Model: _____

Main Features

- Stainless steel body.
- Easy to clean and hygienic.
- Ergonomic design.
- Adjustable legs.
- Long life, easy to operate and maintenance.
- High efficiency burners.
- Special coated, unscrachable, easy to clean top cast grates.
- Detachable and clearable easily oven tray shelves.
- Detachable and clearable easily top range oil sump.
- Easy to changeable door joint.

Prodcut Highlighting Details

- 2/4 and 6 Burners , with or without oven
- Easy to clean and simple maintenance with removable Burner Bottom Tray
- Unscrachable and enameled cast iron top grates.
- Nickel coated cast iron burners
- Protected Pilot Flame
- With oven or cupboards
- Oven available for 2/1 GN trays
- Enamel coated bottom steel sheet
- The body of the oven is made of aluminium coated sheet metal
- Stainless steel double-wall insulated door
- Self stabilizing flame
- Removable and easy to clean stainless steel oven shelves
- and thermocouple
- Piezo-electric burner ignition

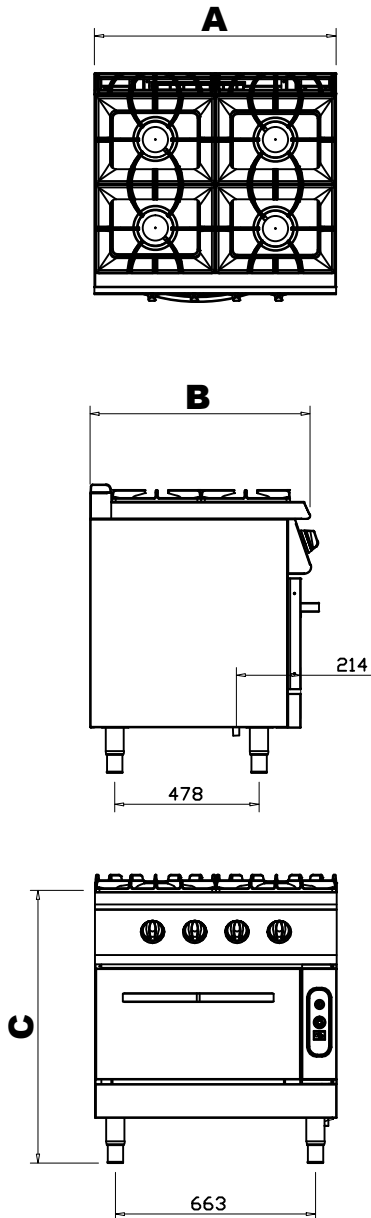
Construction

APPROVAL: _____

KUSINA

Gas Range 32 kW

G7K210G



Code	G7K210G
Width (A)	800
Dept (B)	730
Hight (C)	900
Gas Inlet	R 1/2"
Power	32 kW
Weight (kg)	135
Volume (m ³)	0,84

CE

All rights reserved.