

Tilting bratt pan 18 kw

G9TD201E



tilting bratt pan 18 kw

G9TD201E

Short Form Specification

Name: _____

Item: _____

Model: _____

General Features

- Stainless steel body
- Easy to clean and hygienic
- Ergonomic design
- Adjustable legs
- Long life

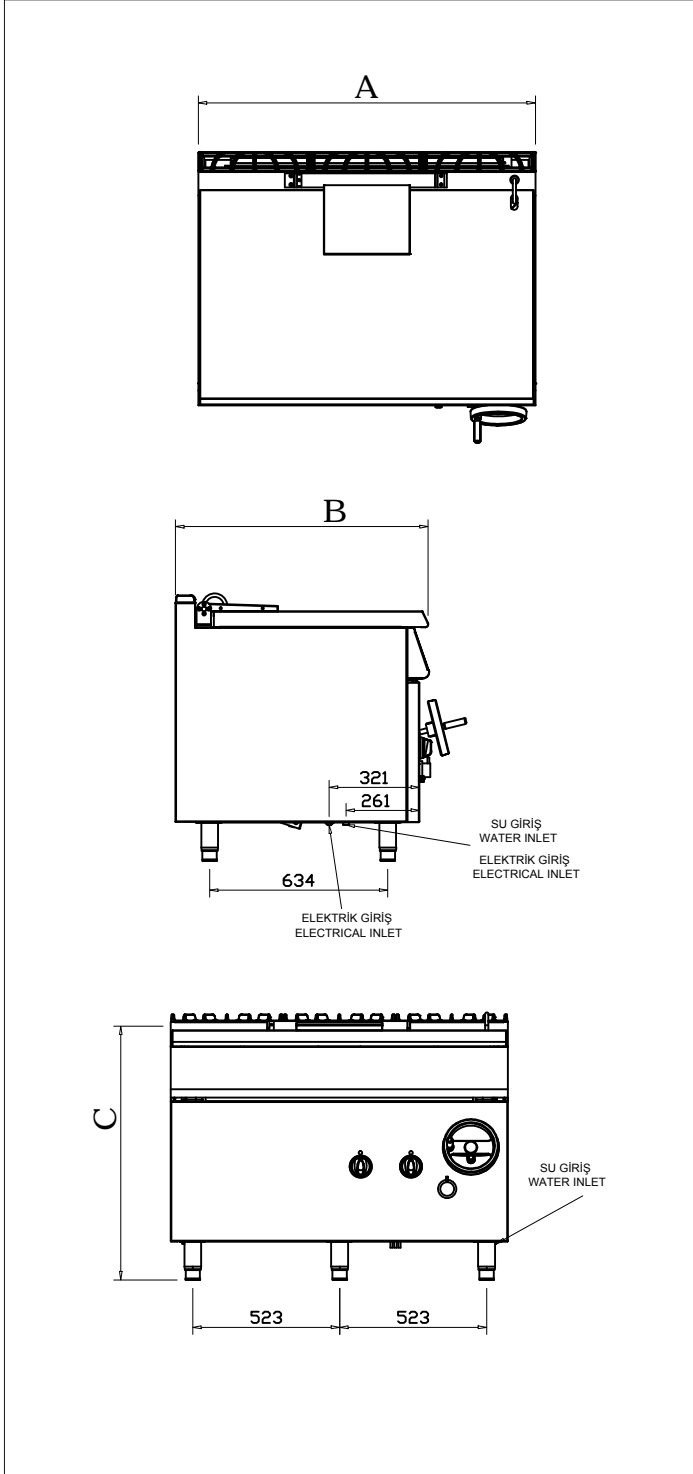
Product Highlighting Details

- Stainless steel cooking pan
- While tilting bratt pan switch step in, system stops
- Safety thermostat
- Capacity with 80 lt and 120 lt
- Self hinged lid
- 200 mm Depth stainless steel pan
- Unscratchable enameled cast iron back grate
- Thermostatic temperature control
- Tubular burner placed under the tank
- Pilot light and valve with thermocouple
- Adjustable heating system 50°C - 300°C
- Piezo-electric burner ignition
- Hand –wheel boost system
- Water filling pipe controlled from front panel

APPROVAL: _____

Tilting bratt pan 18 kw

G9TD201E



| Kod - Code | G9TD201E |
|-----------------------------------|-------------|
| Genişlik - Width (A) | 1200 |
| Derinlik - Dept (B) | 900 |
| Yükseklik - Hight (C) | 900 |
| Elektrik Giriş - Electrical Inlet | 400 V 3N PE |
| Güç - Power | 18 kW |
| Ağırlık - Weight (kg) | 185 |
| Hacim - Volume (m ³) | 1,52 |
| Yağ Kapasitesi-Oil Capacity (Lt) | 120 |