

Gas Cooker 35 kW

## G9K200G



Gas Cooker 35 kW

### G9K200G

#### *Short Form Specification*

#### *Construction*

APPROVAL: \_\_\_\_\_

Name: \_\_\_\_\_

Item: \_\_\_\_\_

Model: \_\_\_\_\_

### Main Features

- Stainless steel body.
- Easy to clean and hygienic.
- Ergonomic design.
- Adjustable legs.
- Long life, easy to operate and maintenance.
- High efficiency burners.
- Special coated, unscrachable, easy to clean top cast grates.
- Detachable and clearable easily top range oil sump.

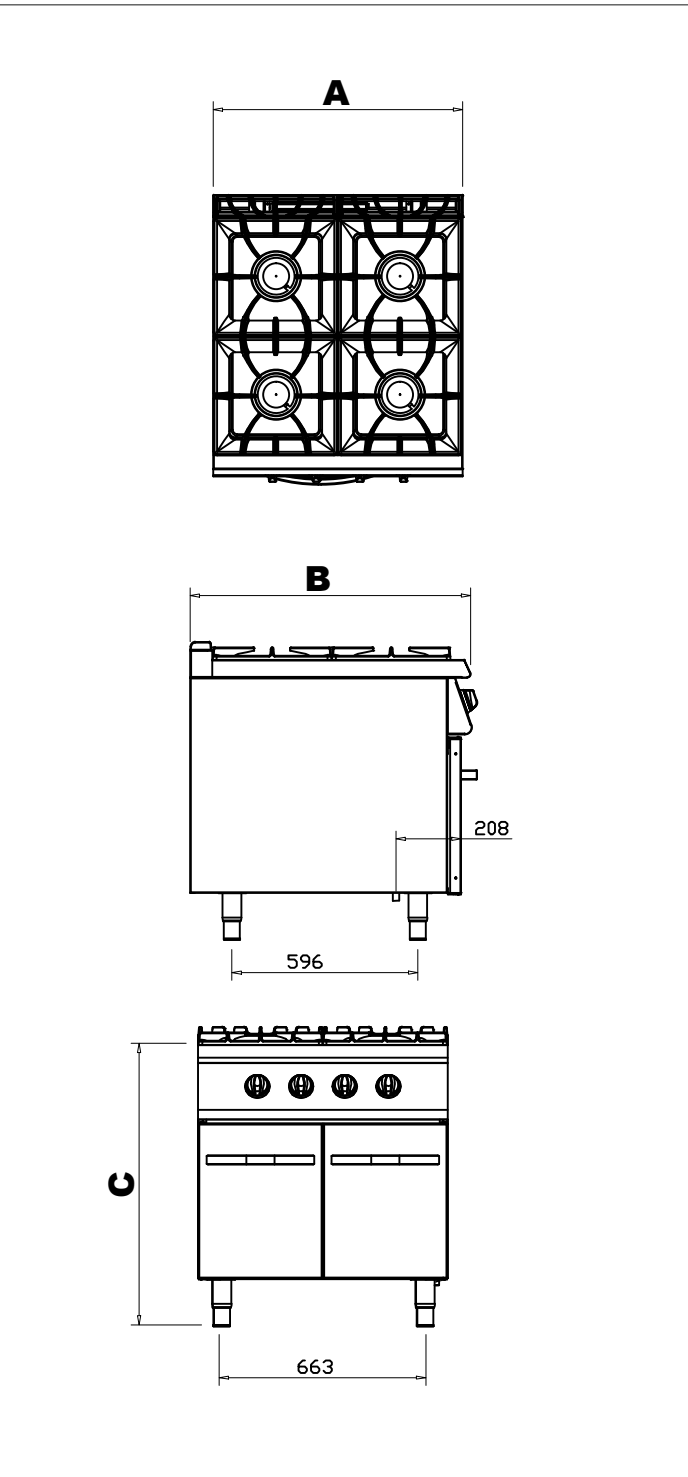
### Product Highlighting Details

- 2/4 and 6 Burners , with or without oven
- Easy to clean and simple maintenance with removable burner bottom tray
- Unscrachable and enameled cast iron top grates.
- Nickel coated cast iron burners
- Protected pilot flame
- With oven or cupboards
- Oven available for 2/1 GN trays
- Enamel coated bottom steel sheet
- The body of the oven is made of aluminium coated sheet metal
- Stainless steel double-wall , insulated door
- Self stabilizing flame
- Removable and easy to clean stainless steel oven shelves
- Thermostatic temperature control with safety valve and thermocouple
- Piezo-electric burner ignition

# KUSINA

Gas Cooker 35 kW

## G9K200G



Code	G9K200G
Width (A)	800
Dept (B)	900
Hight (C)	900
Gas Inlet	R 1/2"
Power	35 kW
Weight (kg)	110
Volume (m <sup>3</sup> )	1,05

CE

All rights reserved.