

Electrical Cooker 6 kW

G9K100E



Electrical Cooker 6 kW

G9K100E

Short Form Specification

Name: _____

Item: _____

Model: _____

Main Features

- Stainless steel body.
- Easy to clean and hygienic.
- Ergonomic design.
- Adjustable legs.
- Long life

Product Highlighting Details

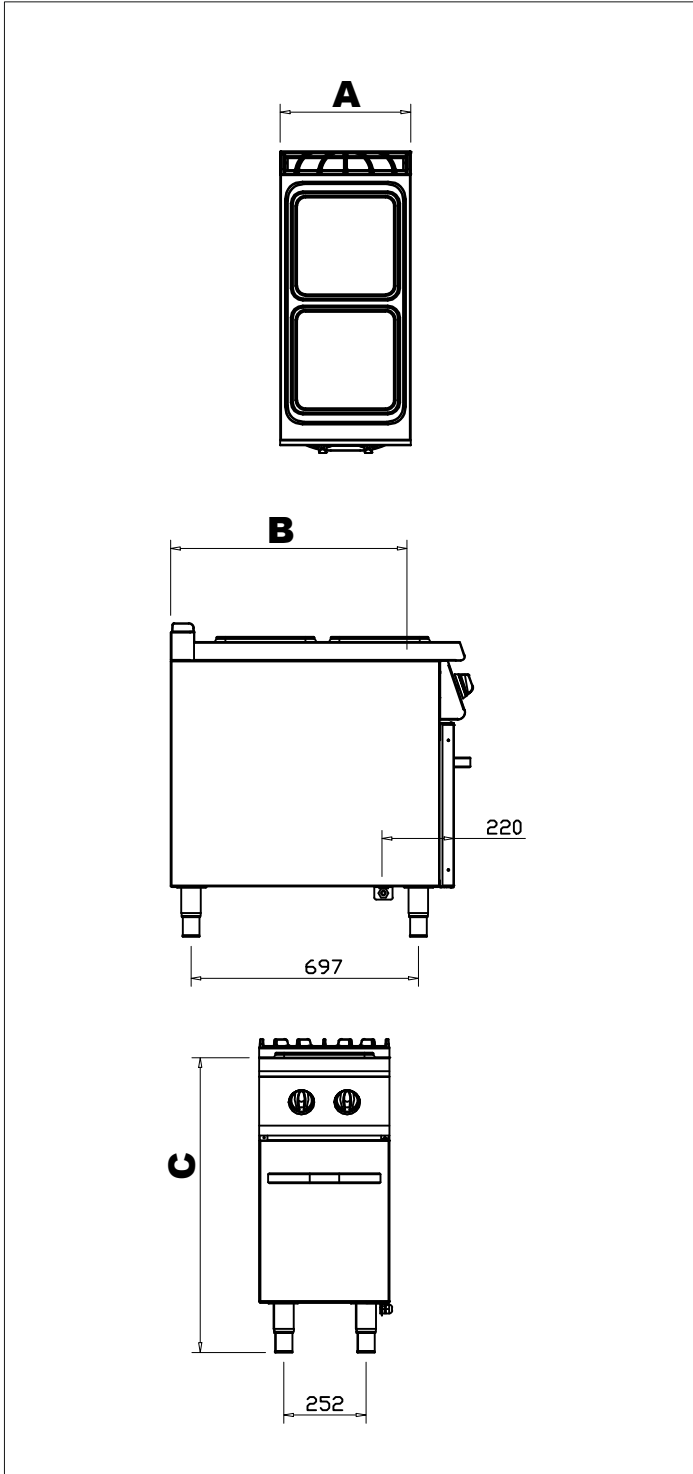
- 2 or 4 heating plates , with or without oven models
- Unscratchable enameled cast iron back grate
- 300x300 fast heating square plates
- With oven or cupboards
- Oven available for 2/1 GN trays
- Enamel coated bottom steel sheet
- The body of the oven is made of aluminum coated sheet metal
- Stainless steel double-wall , insulated door
- Stainless steel tube heaters
- Adjustable thermostatic temperature control
- Indicator lights when reaching to the required temperature

Construction

APPROVAL: _____

Electrical Cooker 6 kw

G9K100E



Code	G9K100E
Width (A)	400
Derinlik - Dept (B)	900
Hight (C)	900
Electrical Inlet	400 V 3N PE
Power	6 kW
Weight (kg)	85
Volume (m ³)	0,59