

fryer 36 kW

G9F200G



fryer 36 kW

G9F200G

Short Form Specification

Name: _____

Item: _____

Model: _____

Main Features

- Stainless steel body
- Easy to clean and hygienic
- Ergonomic design
- Adjustable legs
- Long life
- Monoblock bowl
- Safety gas valve
- Safety thermostat

Product Highlighting Details

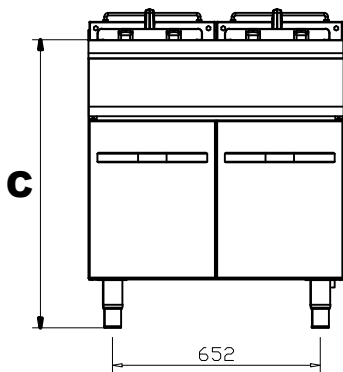
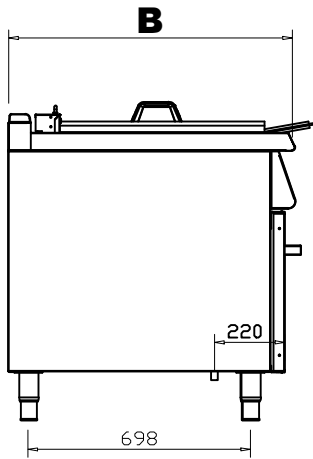
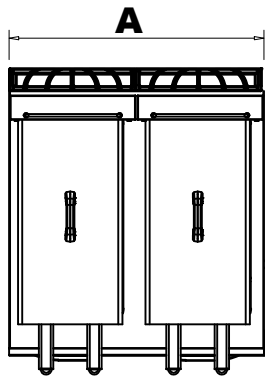
- Single or double container models
- Unscratchable and stainless enameled cast back grate
- Fryer with cupboard
- Piezo-electric burner ignition
- Thermostatic temperature control
- Stainless steel baskets
- Adjustable temperature
- High efficient gas combustion system
- Operating temperature range (0-180 ° C)

Construction

APPROVAL: _____

fryer 36 kw

G9F200G



Code	G9F200G
Width (A)	800
Dept (B)	900
Hight (C)	900
Gas Inlet	R 1/2"
Power	36 kW
Weight (kg)	123
Volume (m³)	1,05
Oil Capacity (Lt)	2x22