

fryer 18 kW

## G9F100G



fryer 18 kW

**G9F100G**

### Short Form Specification

Name: \_\_\_\_\_

Item: \_\_\_\_\_

Model: \_\_\_\_\_

### Main Features

- Stainless steel body
- Easy to clean and hygienic
- Ergonomic design
- Adjustable legs
- Long life
- Monoblock bowl
- Safety gas valve
- Safety thermostat

### Product Highlighting Details

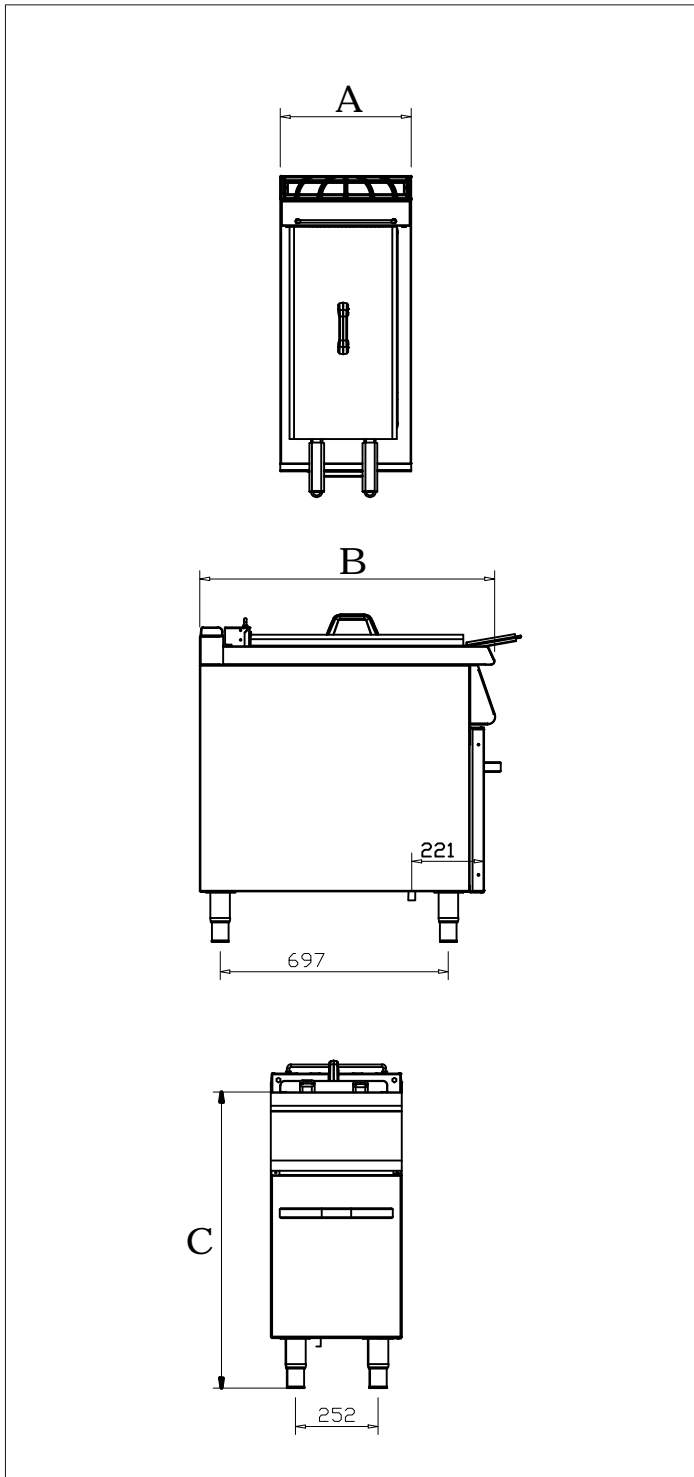
- Single or double container models
- Unscratchable and stainless enameled cast back grate
- Fryer with cupboard
- Piezo-electric burner ignition
- Thermostatic temperature control
- Stainless steel baskets
- Adjustable temperature
- High efficient gas combustion system
- Operating temperature range (0-180 ° C)

### Construction

APPROVAL: \_\_\_\_\_

fryer 18 kw

## G9F100G



Code	G9F100G
Width (A)	400
Dept (B)	900
Hight (C)	900
Gas Inlet	R 1/2"
Power	18 kW
Weight (kg)	72
Volume (m <sup>3</sup> )	0,55
Oil Capacity (Lt)	22