

chinese cooker 10 kW

G7W100G



G7W100G

Short Form Specification

Name: _____

Item: _____

Model: _____

Main Features

- Stainless steel and reinforced body.
- Easy to clean and hygienic.
- Ergonomic design.
- Adjustable legs.
- Long life, easy to operate and maintenance.
- Stainless steel boiling tub.
- Easy to tilt boiling tub.

Product Highlighting Details

- Stainless steel cooking pan
- While tilting bratt pan switch step in, system stops
- Safety thermostat
- Pilot light and valve with thermocouple
- Piezo-electric burner ignition
- Water filling pipe controlled from front panel
- Self-hinged lid
- 200 mm depth stainless steel pan
- Unscratchable zenameled cast iron back grate
- Thermostatic temperature control
- Tubular burner placed under the pan
- Adjustable heating system 50°C - 300°
- Hand-wheel boost system

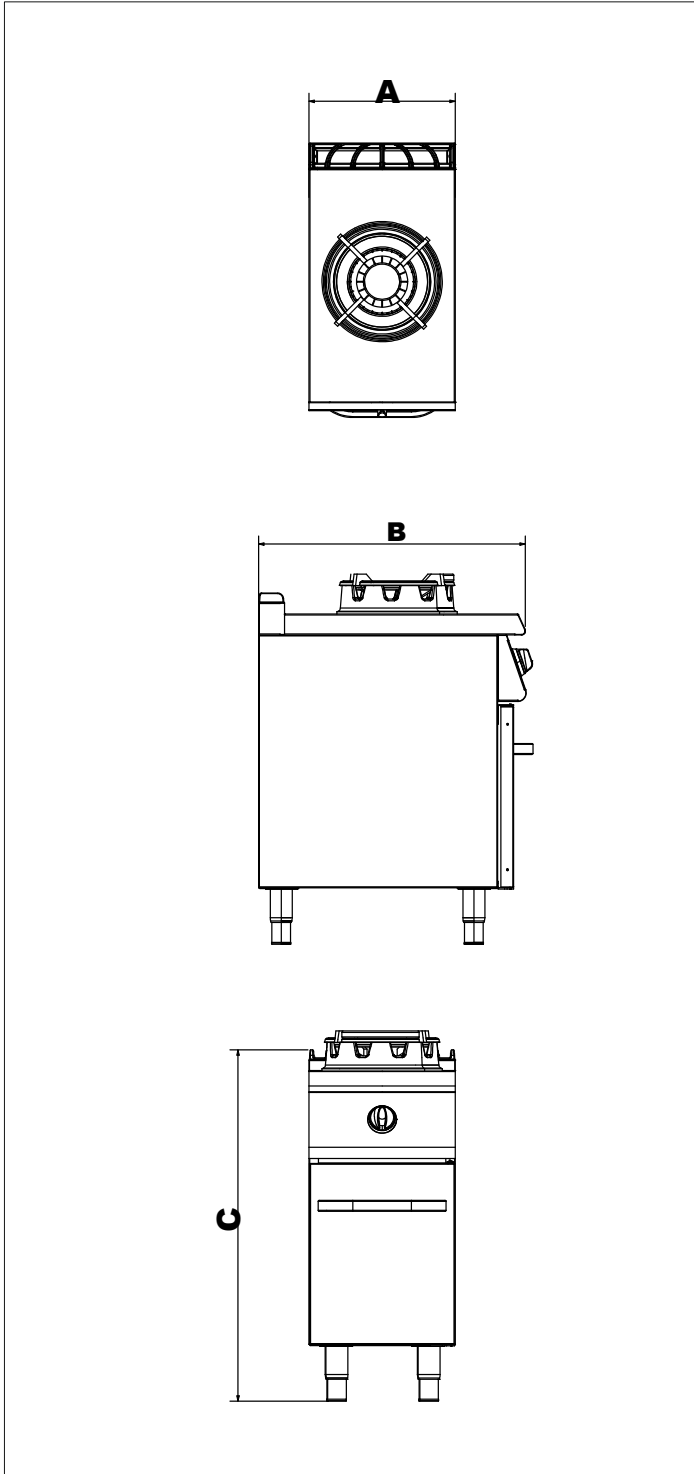
Construction

APPROVAL: _____

KUSINA

chinese cooker 10 kW

G7W100G



Code	G7W100G
Width (A)	400
Dept (B)	730
Hight (C)	900
Gas Inlet	R 1/2"
Power	10 Kw
Weight (kg)	80
Volume (m ³)	0,38
Capacity (Lt)	60
Electrical Inlet	230V 3N PE

CE

All rights reserved.