

tilting bratt pan 18 kW

G7TD200G



tilting bratt pan 18 kW

G7TD200G

Short Form Specification

Name: _____

Item: _____

Model: _____

Main Features

- Stainless steel and reinforced body.
- Easy to clean and hygienic.
- Ergonomic design.
- Adjustable legs.
- Long life, easy to operate and maintenance.
- Stainless steel boiling tub.
- Easy to tilt boiling tub.

Product Highlighting Details

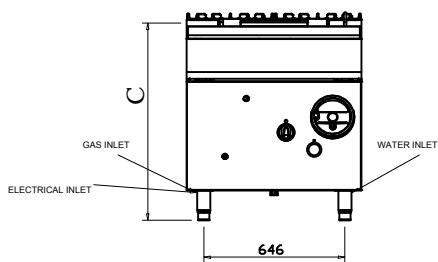
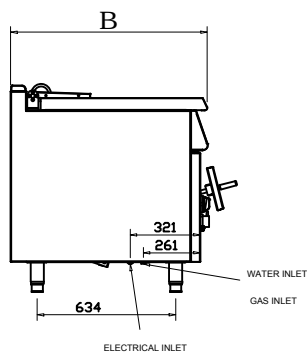
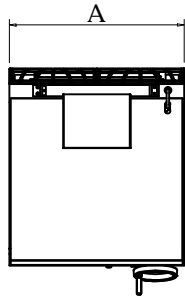
- Stainless steel cooking pan
- While tilting bratt pan switch step in, system stops
- Safety thermostat
- Pilot light and valve with thermocouple
- Piezo-electric burner ignition
- Water filling pipe controlled from front panel
- Self-hinged lid
- 200 mm depth stainless steel pan
- Unscratchable zenameled cast iron back grate
- Thermostatic temperature control
- Tubular burner placed under the pan
- Adjustable heating system 50°C - 300°
- Hand-wheel boost system

Construction

APPROVAL: _____

tilting bratt pan 18 kw

G7TD200G



| Code | G7TD200G |
|------------------|------------|
| Width (A) | 800 |
| Dept (B) | 730 |
| Hight (C) | 900 |
| Gas Inlet | R 1/2" |
| Power | 18 Kw |
| Weight (kg) | 130 |
| Volume (m³) | 0,95 |
| Capacity (Lt) | 60 |
| Electrical Inlet | 230V 3N PE |